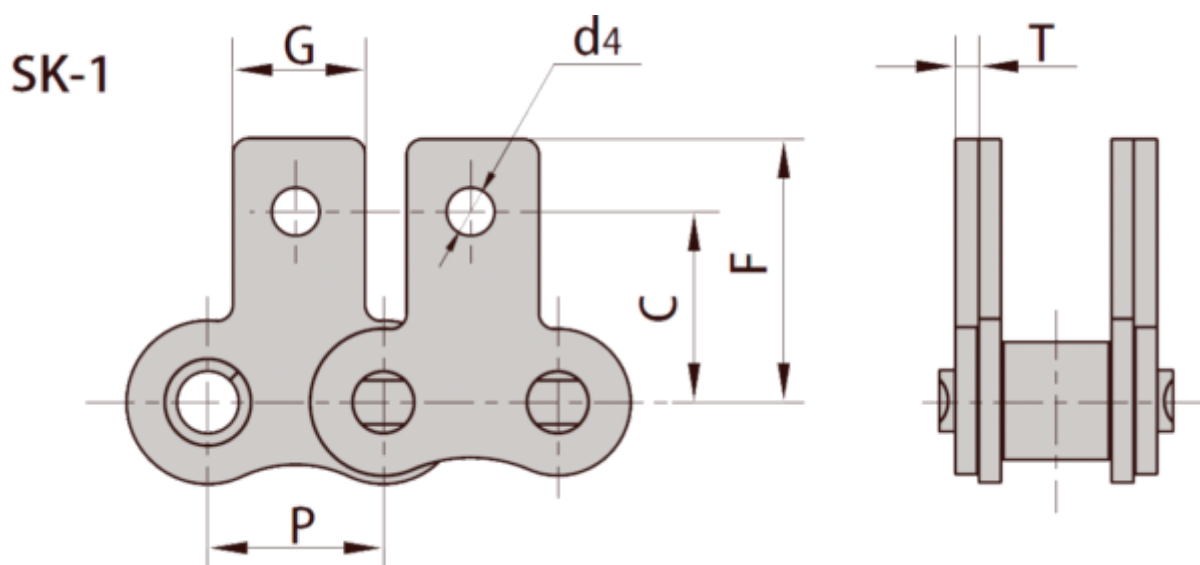


Article number: 6100110041022

Description: 06B1

SK1 Two side straight, one hole attachment link, spring clip type

Measures



C = 9.52
d4 = 3.5
F = 13.50
G = 8.0
P = 9525
T = 1.30